



# VACUUM PACKING MACHINE SE-410 230/50-60/1

Tabletop model. 10 m³/h. 420 mm



1140634



## SALES DESCRIPTION

420 mm sealing bar.  
10 m³/h Busch vacuum pump.  
Vacuum controlled by sensor.

- ✓ Powered by Busch.
- ✓ Vacuum controlled by sensor.
- ✓ Vacuum PLUS.
- ✓ Digital keyboard.
- ✓ Control panel equipped with display indicating the exact vacuum percentage.
- ✓ "Pause" button to marinate food.
- ✓ Safe liquid packing thanks to sensor control.
- ✓ Double seal.
- ✓ Cordless sealing bar.
- ✓ Bag-sealing programme.
- ✓ Pulse-controlled decompression.
- ✓ Vac-Norm ready with Automatic decompression.
- ✓ Stainless steel body and chamber. Deep-drawn chamber.
- ✓ Damped transparent lid of highly durable polycarbonate.
- ✓ Dry-oil programme for drying the pump.
- ✓ Working hours counter for oil changes.
- ✓ Safety system with protection against vacuum failure.

## INCLUDES

- ✓ Sensor controls.
- ✓ Up to 10 seconds of extra vacuum pull.
- ✓ Soft air function.
- ✓ Dry oil cycle.
- ✓ BUSCH pump.
- ✓ NSF approved.
- ✓ Clear methacrylate lid.
- ✓ Filling plate.

## OPTIONAL

- Vacuum packing bags.
- External vacuum kit for Vac-Norm, containers and accessories.
- Bag cutting kit.
- Support for liquid packaging.
- Additional filling plates.

## ACCESSORIES

- Bag cutting kits
- Filling plates
- Liquid insert plates
- Vac-norm external vacuum kits
- Vac-norm containers
- Smooth bags for vacuum packing
- Trolley for vacuum packing machines

## SPECIFICATIONS

Pump capacity: 10 m³/h  
 Pump capacity (60 Hz): 12 m³/h  
 Bar length: 420 mm  
 Total loading: 370 W  
 Vacuum pressure (maximum): 2 mbar  
 Electrical supply: 230 V / 50-60 Hz / 1 ~ (3.4 A)  
 Plug: EU (SCHUKO 2P+G)

### Internal dimensions

- ✓ Width: 430 mm
- ✓ Depth: 415 mm
- ✓ Height: 145 mm

### External dimensions (WxDxH)

- ✓ Depth: 529 mm
- ✓ Height: 413 mm (230V) / mm (120V)
- ✓ Width: 484 mm
- ✓ Depth: 529 mm
- ✓ Height: 413 mm

Net weight: 48.9 Kg

Noise level (1m.): -- dB(A)  
 Background noise: 32 dB(A)

### Crated dimensions

600 x 600 x 610 mm  
 Gross weight: 57.3 Kg

FOOD PRESERVATION AND SOUS-VIDE  
VACUUM PACKING MACHINES • SENSOR LINE

product sheet  
updated 06/06/2023



SAMMIC S.L.  
Basiglio, 1 - 20129 AZCOITTA  
www.sammic.com



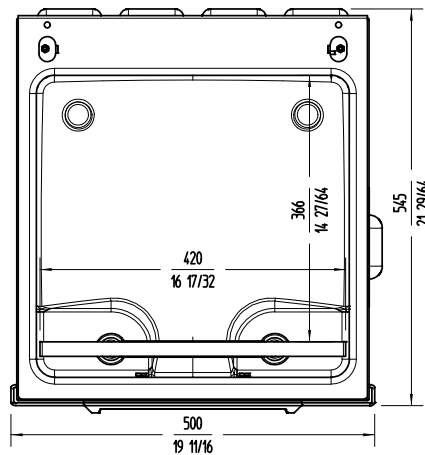
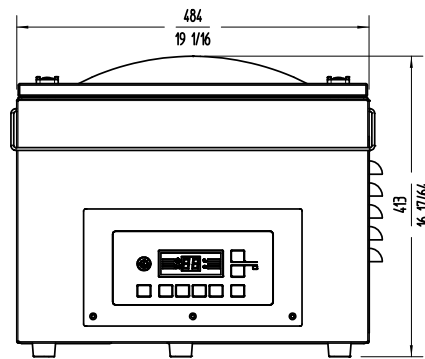
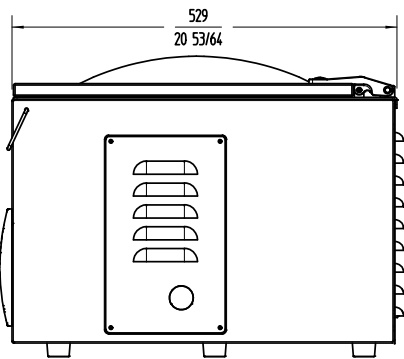
# VACUUM PACKING MACHINE SE-410 230/50-60/1

Tabletop model. 10 m<sup>3</sup>/h. 420 mm



1140634

FOOD PRESERVATION AND SOUS-VIDE  
VACUUM PACKING MACHINES · SENSOR LINE




**www.sammic.co.uk**  
**Food Service Equipment Manufacturer**  
 Unit 2, Trevanth Road  
 Troon Industrial Park  
 LE4 9LS - Leicester  
 uksales@sammic.com  
 Tel.: +44 0116 246 1900



Project	Date
Item	Qty
Approved	

product sheet  
updated 06/06/2023